

## Moda Series Slide Lock and Indicator Set

### Material Specifications

- Diecast Zinc
- Alloy ZP3
- ABS Snap on Cover

### Mounting

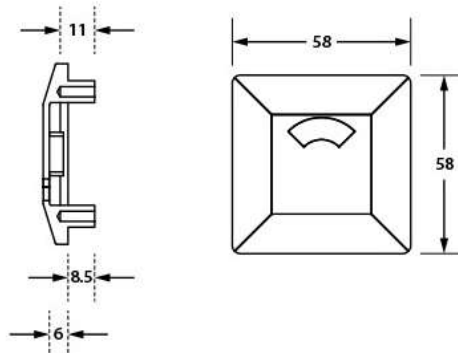
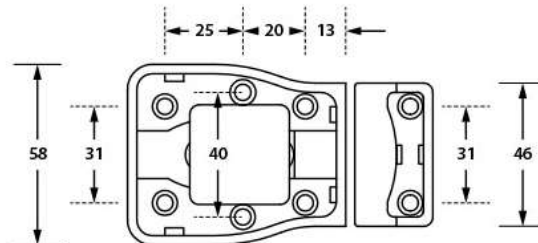
- Surface Mounted Concealed Screw Fix

### Finish Options:

- MODA\_LOCK\_SCP- Satin Chrome Plate
- MODA\_LOCK\_ANMB – Antimicrobial Coated
- MODA\_LOCK\_DESIGNER – Designer Black

### Installation Guidelines

1. Using the Mounting template provided, fold paper along dotted edge where shown to mark the edge of the door.
2. Keep the Mounting Template in place and drill holes as instructed on the Mounting Template.
3. Place the spindle inside the Indicator Disc.
4. Once attached, place the spindle through the door with the indicator face showing on the outside of the cubicle. Ensure the indicator is showing green at the top to signify 'vacant'.
5. Attach the lock over the spindle from inside the cubicle.
6. Focussing on the lock face inside the cubicle, screw in the 2 x machine thread screws supplied into centre top and bottom holes of the lock face (pre-drilled as per step 2). These machine thread screws will screw into the indicator face to hold the set up in place.
7. Screw the 4 x self-tapping counter sunk screws into the 4 outer pre-drilled holes to secure the lock.
8. Check function for a smooth open and close motion.
9. If binding has occurred, loosen screws to adjust lock position. Once the lock is functioning well, proceed to tighten screws again.
10. Install staple using 2 x self-tapping counter sunk screw provided.
11. Check function to ensure a smooth open and close motion of lock tongue into the staple.



The photographs and line drawings of the products presented above are representational only. Metlam Australia Pty Ltd reserves the right to, and from time to time, make changes and improvements in design and dimensions.

12. Once satisfied, complete set up by fitting snap on lock and staple covers.

## Features

- **Indicator:** A large eyelet allows for a clearer view of the vacant/ engaged signal.
- **Slide Lock:** Solid one-piece diecast handle. A Unique 'Easy-Glide' Slide Lock for restricted hand mobility, limb loss, and hygiene protection  
Raised directional arrows to assist those with vision impairment.
- **Staple:** Functional, strong modern design

*The technical recommendations contained in this document are necessarily of a general nature and should not be relied on for specific applications without first securing competent advice. Whilst Metlam Australia Pty Ltd has taken all reasonable steps to ensure the information contained herein is accurate and current, it does not warrant the accuracy or completeness of the information and does not accept liability for errors or omissions. Any Commercial product should only be installed by a competent tradesperson and serviced/maintained by knowledgeable janitorial staff or competent people. Metlam Australia accepts no responsibility for any damage to product, walls or fixtures due to incorrect installation or maintenance of any of their products.*

The photographs and line drawings of the products presented above are representational only.  
Metlam Australia Pty Ltd reserves the right to, and from time to time, make changes and improvements in design and dimensions.